

Dock leveller

Crawford DL6020TR

ASSA ABLOY

ASSA ABLOY Entrance Systems

The global leader in
door opening solutions



The dock leveller upgrade solution - for replacement of existing levellers

A Crawford DL6020TR Teledock Replacement is a cost-effective upgrade solution to replace obsolete dock levellers. The wide sizes range and the variety of frame designs make it possible to replace existing levellers without any reconstruction. Your expert from Crawford will do the visual inspection and find the best solution for your individual situation.

The Crawford DL6020TR Teledock Replacement:

- Preventive maintenance is easy and fast to secure functionality and avoid downtimes.
- Telescopic lip giving optimal load utilization of the whole vehicle bed area.
- Larger contact area between vehicle bed and dock leveller.
- Easy and comfortable operation.
- Optimal and safe positioning on the vehicle bed.

Crawford 950 series - the intelligent, all in one, docking control system

The innovative and unique 950 series docking control system gives you direct control of the dock leveller, dock shelter and door all in one control unit. With only a few self-explaining buttons it is easy to operate, to meet the demands of modern logistics. Separate steering units or complex wiring are no longer needed.

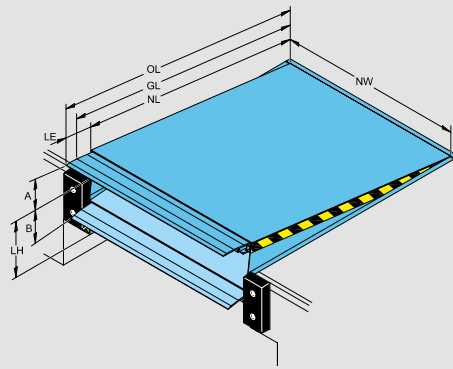
Crawford DE6090DI Dock-IN

Crawford Dock-IN is the world's first combined solution with parking guide and traffic lights in one system. Crawford Dock-IN ensures a safe and secure dock in procedure with the help of white guiding lights and red traffic lights. There is no need to paint and repaint guiding lines on the asphalt or install conventional steel parking guides, which are an obstacle in the yard. With modern LED technology Crawford Dock-IN has a low energy consumption and a long life.

Technical Data

Sizes – pit length	1815 mm – 3015 mm
Sizes – nominal length	1800 mm – 3000 mm
Sizes – pit width	1760 mm – 2310 mm
Sizes – nominal width	1700 mm – 2250 mm
Leveller height	600, 700, 800 mm
Load capacity	60 kN (6 tonnes)
Vertical working range	
Rise above dock	up to 520 mm
Fall below dock	down to 440 mm
Platform tear-plate thickness	8/10 mm
Max. point load leveller platform	1,3 N/mm ² (6 mm tear plate) 6,5 N/mm ² (8 mm tear plate)
Lip type and length	telescopic, 500/1000 mm ergonomic, 345 mm
Lip material	steel or aluminium
Control unit protection class	IP 54
European standard	EN 1398 Dock levellers

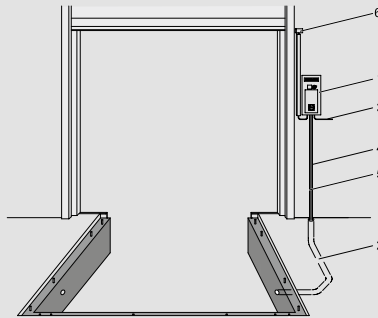
Dimensions



NL	Nominal length
OL	Overall length
GL	Gradient length
NW	Nominal width
LE	Leveller extension
LH	Leveller height
A	Working range above dock level
B	Working range below dock level
DH	Dock height
DW	Door width

Sizes – pit length	1815 mm – 3015 mm
Sizes – nominal length	1800 mm – 3000 mm
Sizes – pit width	1760 mm – 2310 mm
Sizes – nominal width	1700 mm – 2250 mm
Leveller height	600, 700, 800 mm
Vertical working range	
Rise above dock	up to 520 mm
Fall below dock	down to 440 mm

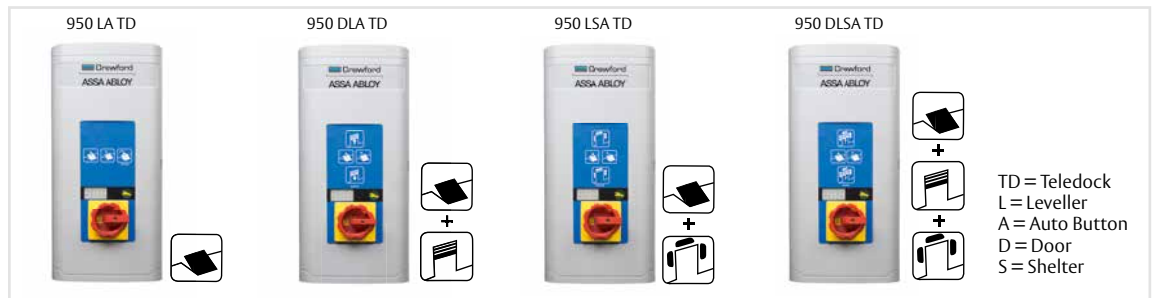
Electrical preparations



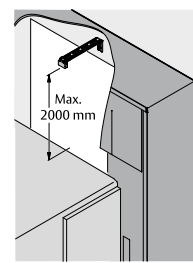
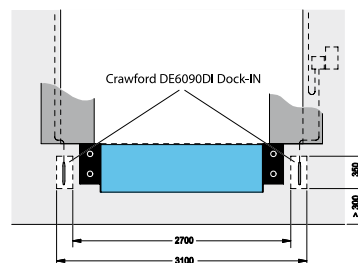
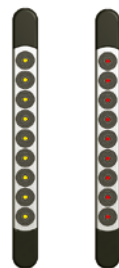
1	Control unit (included in the delivery)
2	Conduit for wiring internal diameter 70, angles <45° (by others)
3	Mains supply: 3 / N / PE AC 50 Hz Mains fuse: D0 10 A gL Motor power: 0,75 kW
4	Cable: 7 x 0,75 mm ²
5	Motor cable: 4 x 1,5 mm ²
6	Optional safety switch on sectional door to disable leveller when door is closed*

*Non standard

Operating functions for Tele lip levellers



Crawford DE6090DI Dock-IN



Standard available colours

